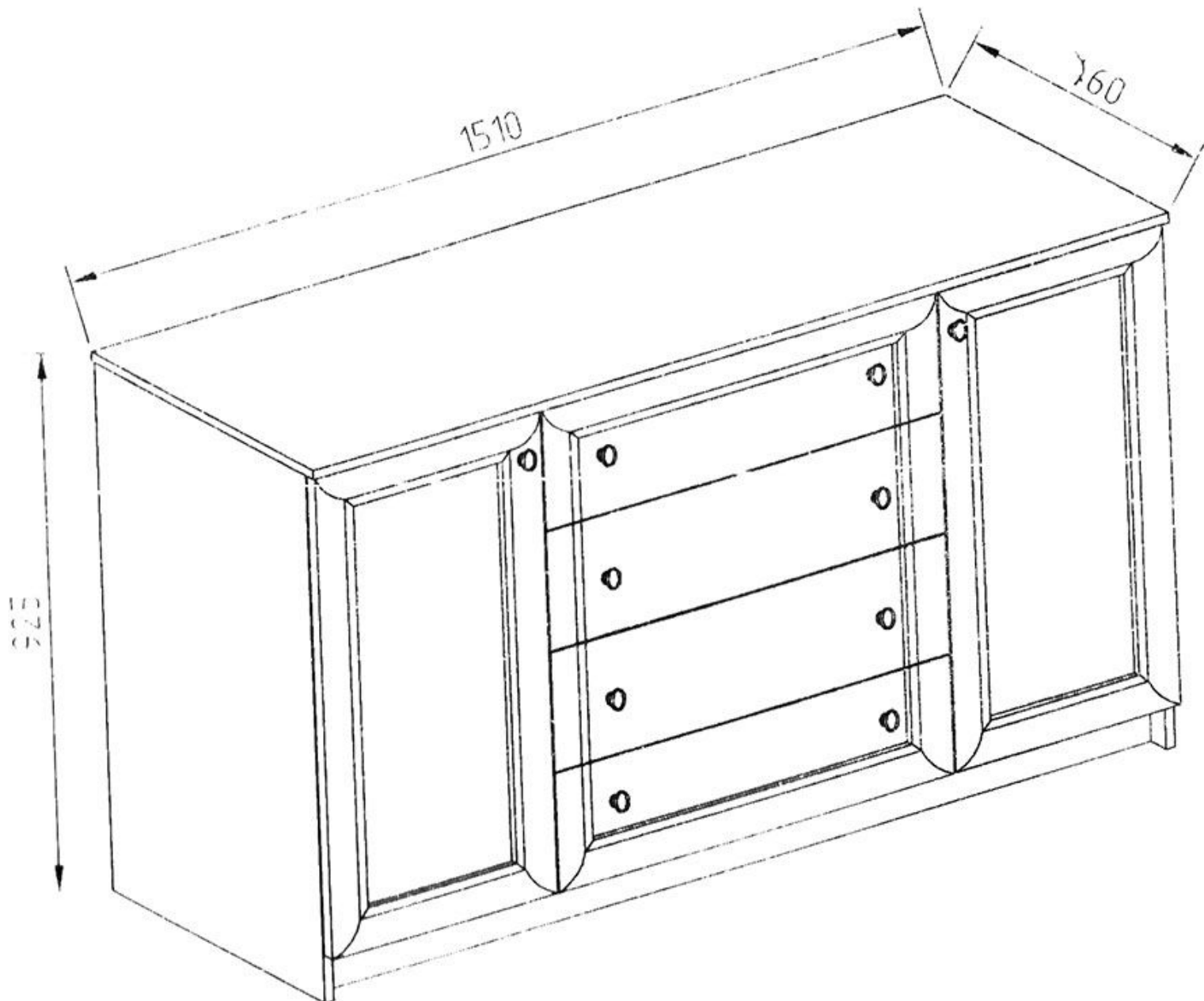
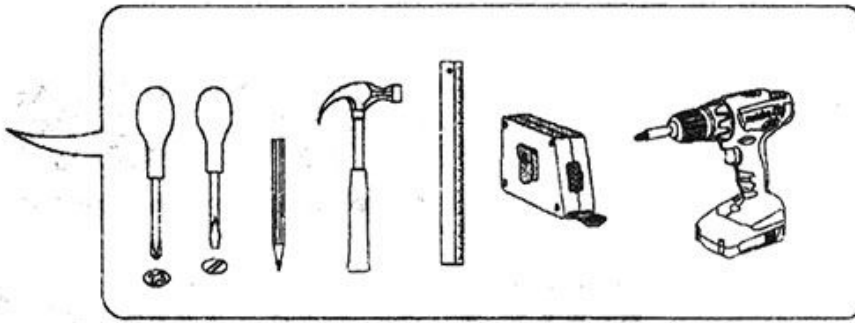





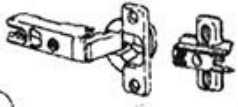



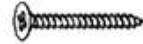





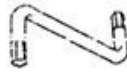


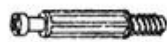




# LOTUS

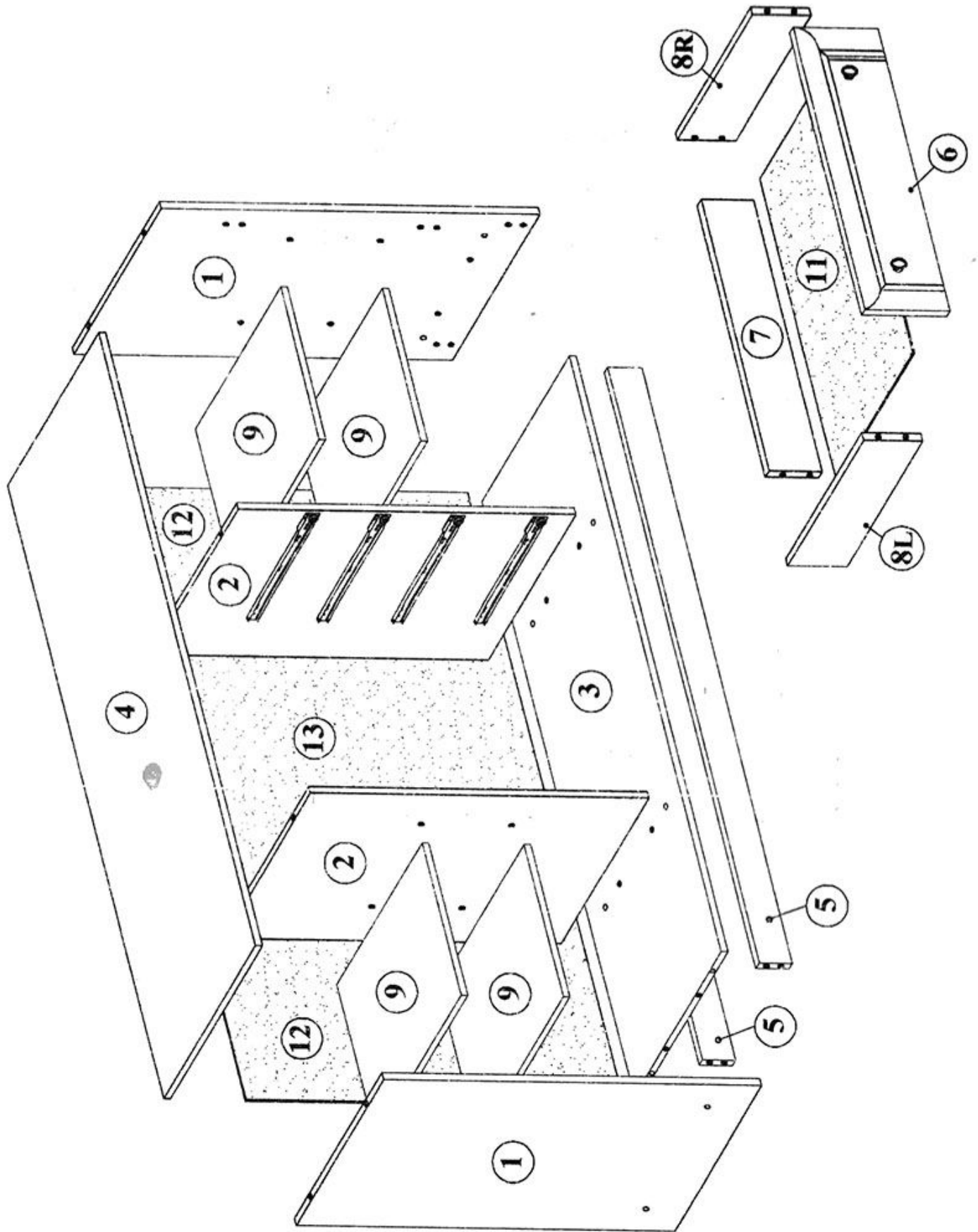
## CHEST OF DRAWERS



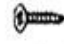
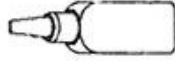






 <b>(B1)</b> 6,3*50mm x8	 <b>(B)</b> x8	 <b>(A1)</b> 8*30mm x48
 <b>(L1)</b> x4	 <b>(F2)</b> 6,3*13mm x8	 <b>(E9)</b> 4*16mm x8
 <b>(I1)</b> x10	 <b>(E16)</b> 4,5*30mm x8	 <b>(E8)</b> 3,5*40mm x2
 <b>(M1)</b> 400 mm x4	 <b>(E2)</b> 3*13mm x32	 <b>(J1)</b> 5*16 x16
 <b>(K1)</b> x4	 <b>(P1)</b> x1	 <b>(R1)</b> x1
 <b>(R3)</b> 1.4*25mm 0.02kg	 <b>(C1)</b> 5*30mm x8	 <b>(D1)</b> 16mm x8
 <b>(D)</b> x8		

<b>No</b>	<b>a*b</b>	<b>x</b>
1	900x406	2
2	804x406	2
3	1467x406	1
4	1510x456	1
5	1467x80	1
6	202x696	4
7	626x140	4
8	400x140	8
9	376x396	4
10	816x396	2
11	656x405	4
12	830x698	1
13	830x396	2



 (A1) 8*30mm x14	 (M1) 400 mm x4	 (E2) 3*13mm x8
 (R1) x1	 (L1) x2	 (F2) 6,3*13mm x4

